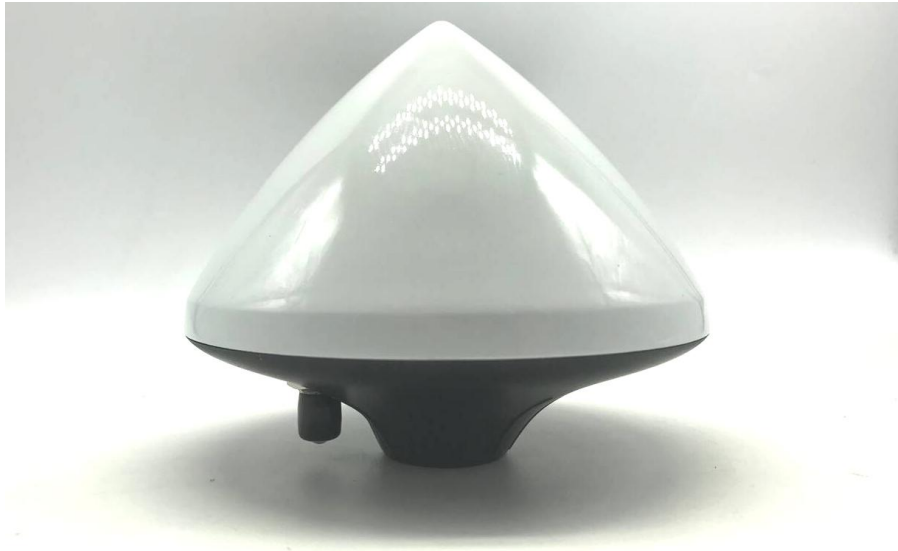
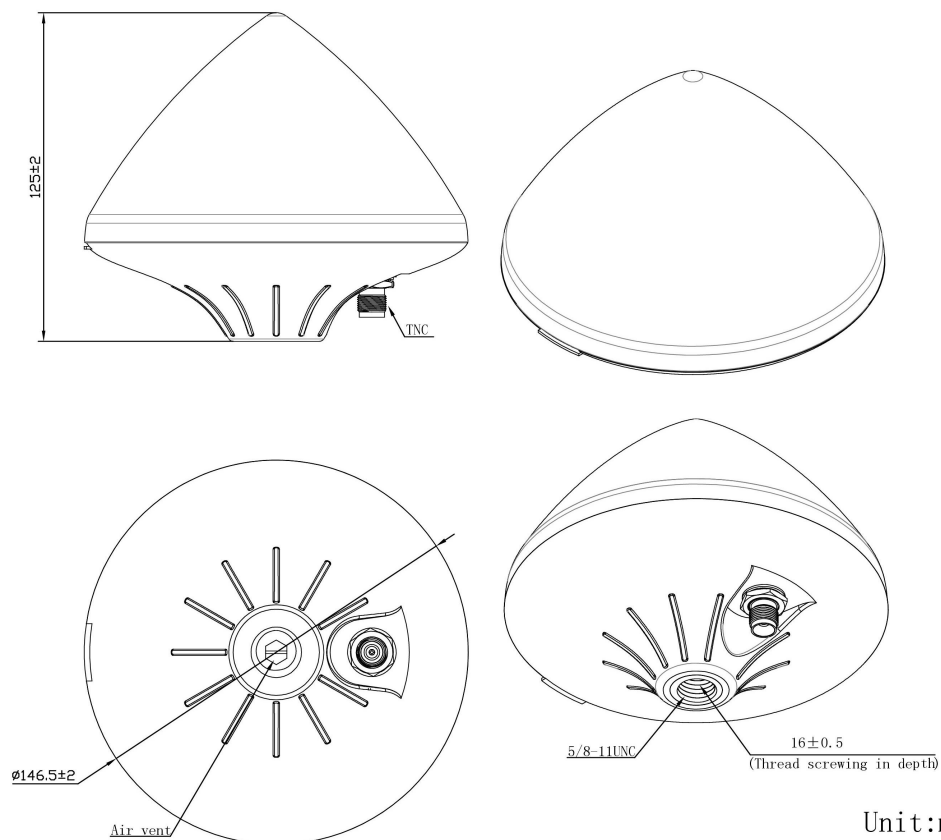


# GNSS Surveying Antenna

## JCA228A



### DIMENSIONS



**JIAXING JINCHANG ELECTRONIC TECHNOLOGY CO.,LTD**

Add: 398#, Zhenye Road, South Street, Jiaxing, Zhejiang, China

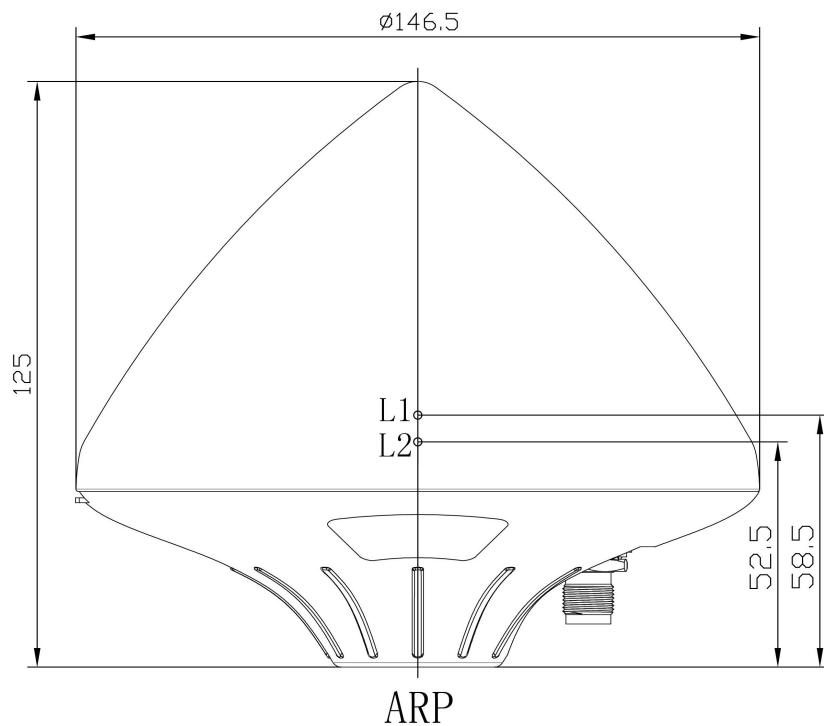
Http:// [www.jinchanggps.com](http://www.jinchanggps.com)

E-mail: [jcgps@vip.163.com](mailto:jcgps@vip.163.com)

Tel: 86-0573-83692157/83692605/83958637 Fax: 86-0573-83958635

**SPECIFICATIONS**

Item		Specifications
Antenna	Frequency	GPS L1/L2/L5/L-Band GLONASS G1/G2/G3 COMPASS B1/B2/B3 Galileo E1/L1/E2/E5a/E5b/E6
	Polarization	RHCP
	Axial Ratio	$\leq 3\text{dB}$
	V.S.W.R	$\leq 1.5$
	Peak Gain	$\geq 5.5\text{dBi}$
	Impedance	$50\ \Omega$
	Phase Center Error	$\pm 2\text{mm}$
	Horizontal coverage angle	$360^\circ$
LNA	Gain	$40 \pm 2\text{dB}$
	Noise Figure	$\leq 1.5\text{dB}$
	Passband fluctuation	$\pm 1\text{dB}$
	Supply Voltage	3~12V DC
	Current Consumption	$\leq 50\text{mA}$
	V.S.W.R	$\leq 2.0$
Mechanical	Connector	TNC-K
	Radome Material	ABS
	Mounting Method	Screw
Environmental	Operating Temperature	$-40^\circ\text{C} \sim +85^\circ\text{C}$
	Relative Humidity	Up to 95%
	Ingress Protection	IP67 (exclude Air vent in screw hole)
	Environmentally Friendly	ROHS Compliant

**Antenna Reference Point&Phase Center**

Mechanical Offsets Units in “mm”