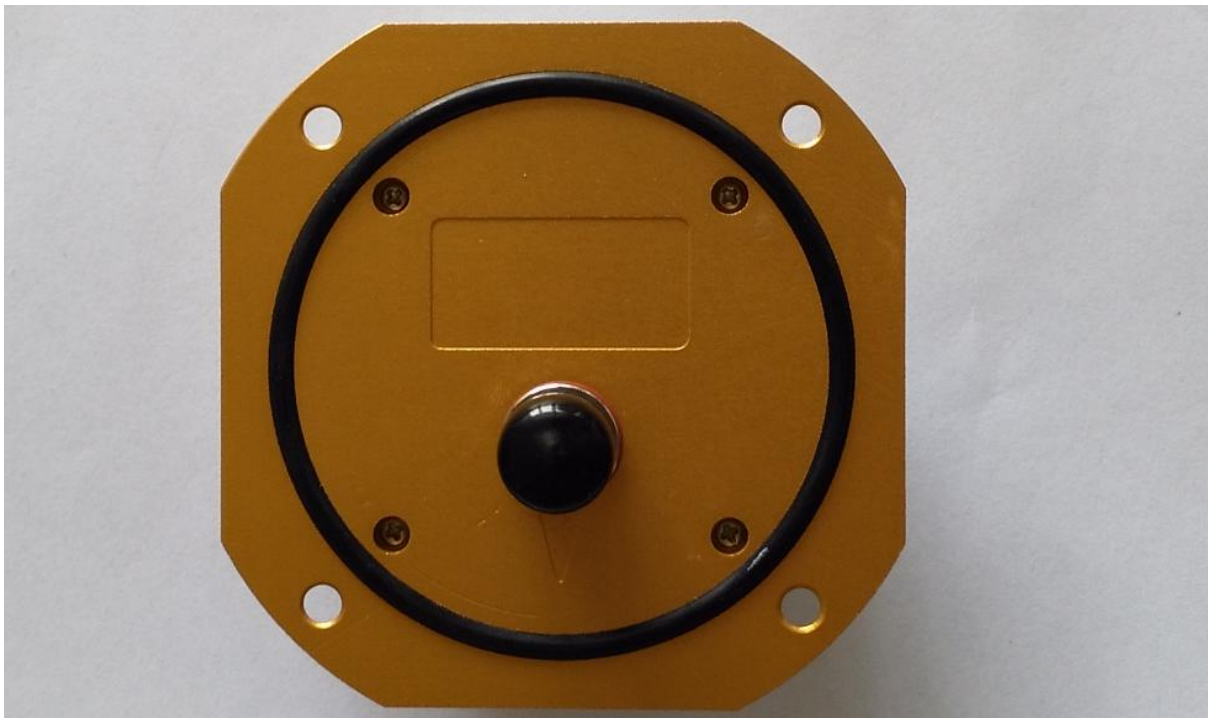


## GNSS Aeria Antenna

### **JCA234**



**JIAXING JINCHANG ELECTRONIC TECHNOLOGY CO.,LTD**

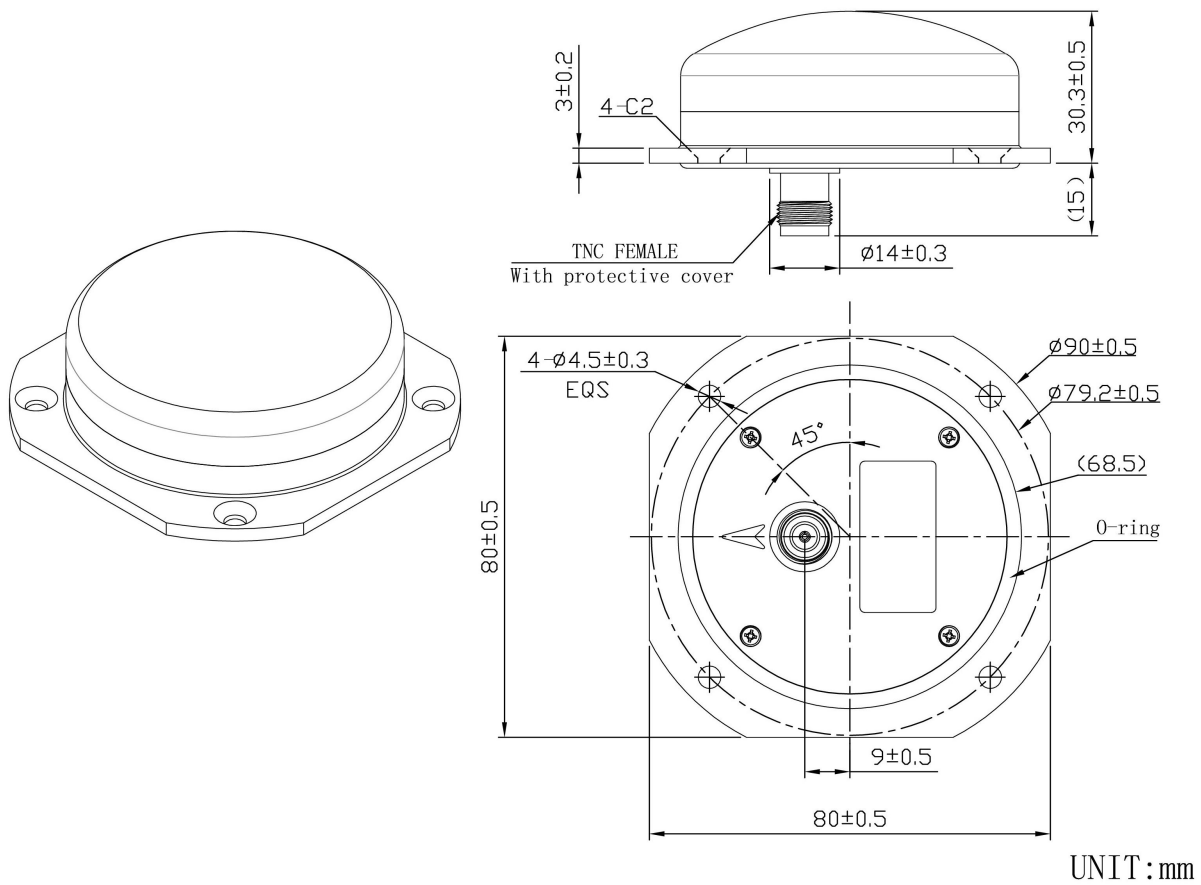
Add: 398#,Zhenye Road, Nanhu District, Jiaxing, Zhejiang, China

Http:// [www.jinchanggps.com](http://www.jinchanggps.com)

E-mail:[jcgps@vip.163.com](mailto:jcgps@vip.163.com)

Tel: 86-0573-83692157/83692605/83958637 Fax:86-0573-83958635

## DIMENSIONS

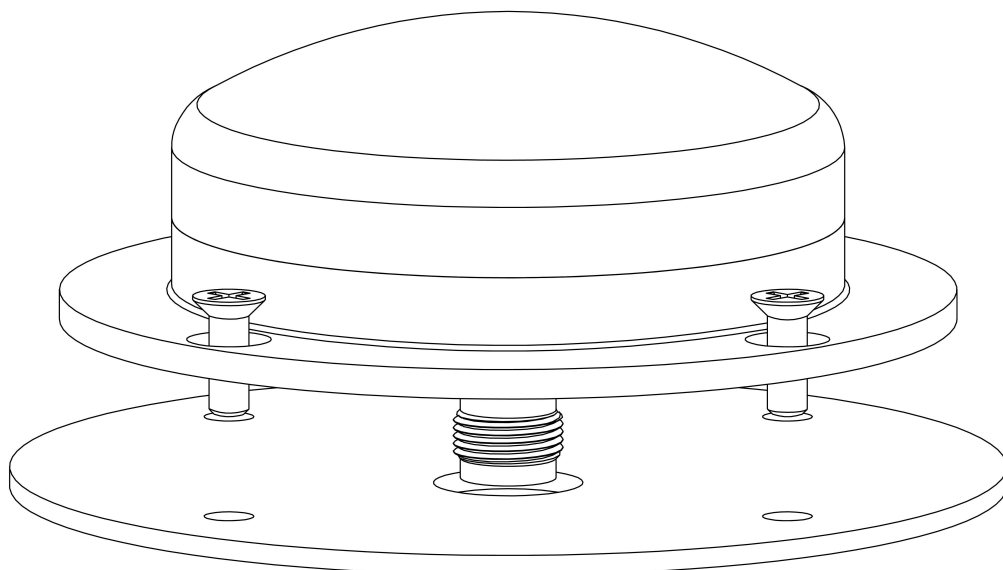


## SPECIFICATIONS

Item	Specifications	
Antenna	Frequency Range	1559.052~1616MHz 1205.094~1278.75MHz
	Polarization	RHCP
	Axial Ratio	$\leq 3\text{dB}$
	V.S.W.R	$\leq 2.0$
	Peak Gain	$\geq 3\text{dBi}$
	Impedance	$50 \Omega$
	Horizontal Coverage Angle	$360^\circ$
	Vertical Coverage Angle	$5^\circ \sim 90^\circ$

LNA	Gain	B2/L2/G2/B3: $40 \pm 2\text{dB}$ B1/L1/G1: $38 \pm 2\text{dB}$
	Noise Figure	$\leq 1.5\text{dB}$
	Passband Fluctuation	$\pm 1\text{dB}$
	Supply Voltage	3.3~5.5V DC
	Current Consumption	$\leq 45\text{mA}$
	V.S.W.R	$\leq 2.0$
	Output 1dB Compression Point	$\geq 0\text{dBm}$
Mechanical	Connector	TNC-K
	Dimension	$\Phi 90\text{ mm}$
	Weight	$\approx 140\text{g}$
Environmental	Operating Temperature	$-40^{\circ}\text{C} \sim +85^{\circ}\text{C}$
	Storage temperature	$-40^{\circ}\text{C} \sim +85^{\circ}\text{C}$
	Relative Humidity	Up to 95% (Non condensing)
	Ingress Protection	IP67

## Installation Diagram



**JIAXING JINCHANG ELECTRONIC TECHNOLOGY CO.,LTD**

Add: 398#, Zhenye Road, Nanhu District, Jiaxing, Zhejiang, China

Http:// [www.jinchanggps.com](http://www.jinchanggps.com)

E-mail: [jcgps@vip.163.com](mailto:jcgps@vip.163.com)

Tel: 86-0573-83692157/83692605/83958637 Fax: 86-0573-83958635