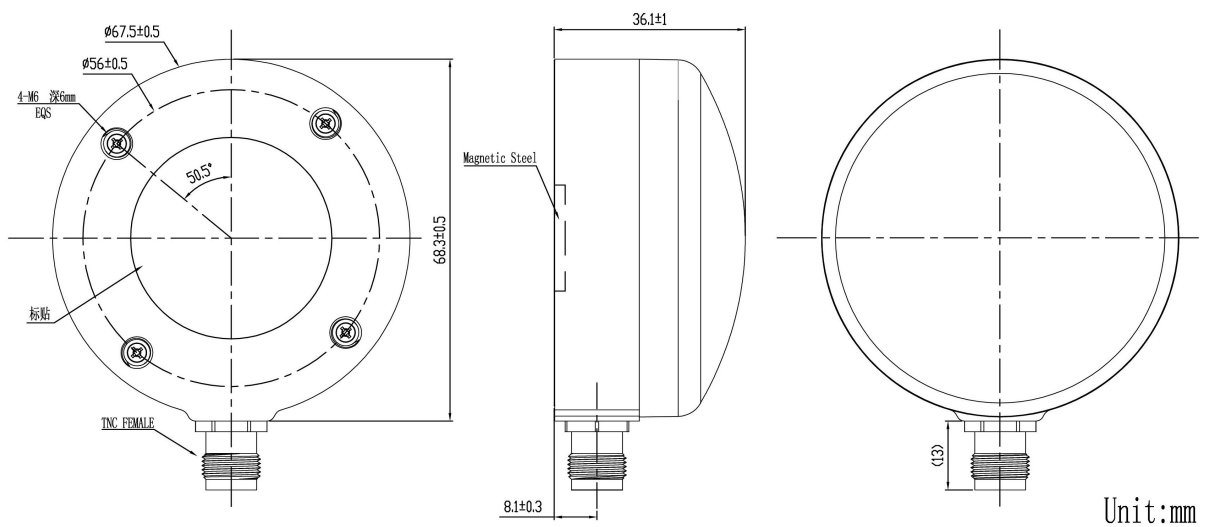


GNSS Antenna JCA234C



DIMENSIONS



SPECIFICATIONS

Item		Specifications
Antenna	Frequency Range	1559.052~1616MHz 1205.094~1278.75MHz
	Polarization	RHCP
	Axial Ratio	≤3dB
	V.S.W.R	≤2.0
	Peak Gain	≥3dBi
	Impedance	50 Ω
	Horizontal Coverage Angle	360°
	Vertical Coverage Angle	5° ~90°
LNA	Gain	B2/L2/G2/B3/E5b/E6: 40±2dB B1/L1/G1/E1/E2: 38±2dB
	Noise Figure	≤1.5dB
	Passband Fluctuation	±1dB
	Supply Voltage	3.3~5.5V DC
	Current Consumption	≤45mA
	V.S.W.R	≤2.0
	Output 1dB Compression Point	≥0dBm
Mechanical	Connector	TNC-K
	Dimension	Φ67.5 mm
	Weight	≈150g
	Mounting Method	Magnet/Screw
Environmental	Operating Temperature	-40°C~+85°C
	Storage temperature	-40°C~+85°C
	Relative Humidity	Up to 95% (Non condensing)
	Ingress Protection	IP67