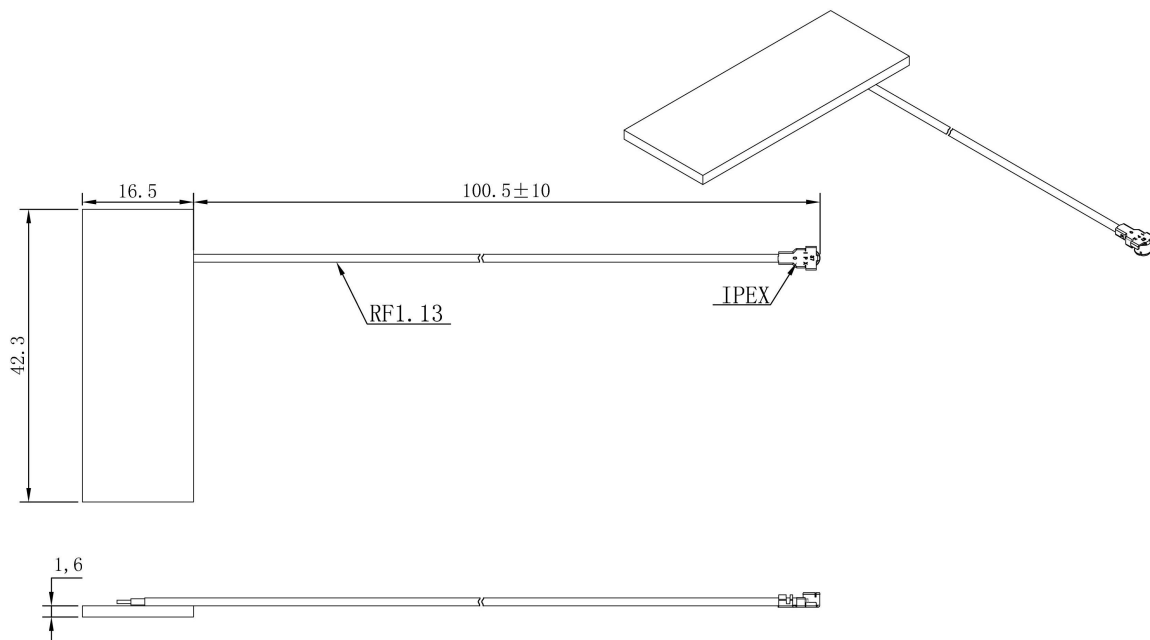


GSM Antenna

JCG126



DIMENSIONS



Unit:mm

JIAXING JINCHANG ELECTRONIC TECHNOLOGY CO.,LTD

Add: 398#, Zhenye Road, South Street, Jiaxing, Zhejiang, China

Http:// www.jinchanggps.com

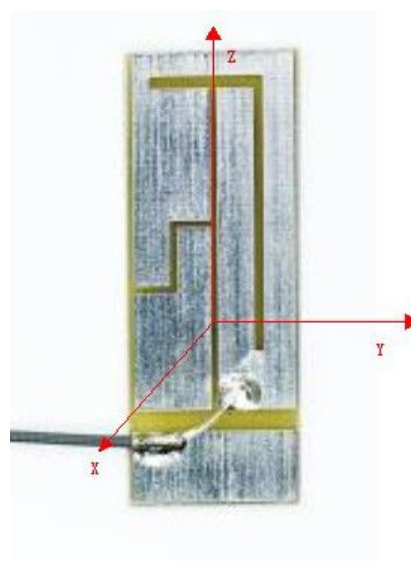
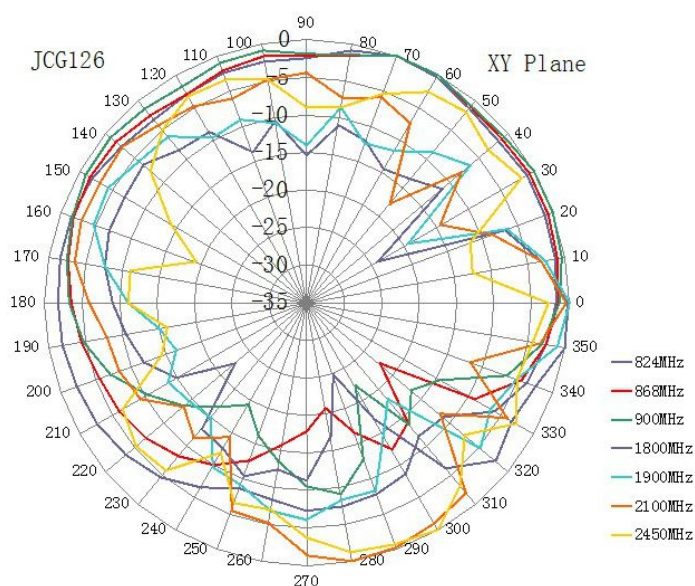
E-mail: jcgps@vip.163.com

Tel: 86-0573-83692157/83692605/83958637 Fax: 86-0573-83958635

SPECIFICATIONS

Item	Specifications	
Antenna	Frequency Range	824~960/1710~2170MHz
	Polarization	Linear
	Gain	0dBi
	V.S.W.R (min)	<2.5
	Impedance	50 Ω
	PCB Dimension	42.3*16.5*1.6mm
Mechanical	Cable	RF1.13/RF1.37
	Connector	IPEX/MCF
	Mounting Method	Adhesive or Embedded
Environmental	Operating Temperature	-40°C ~ +85°C
	Relative Humidity	Up to 95%
	Vibration	10 to 55Hz with 1.5mm amplitude 2hours
	Environmentally Friendly	ROHS Compliant

Radiation Pattern



JIAXING JINCHANG ELECTRONIC TECHNOLOGY CO.,LTD

Add: 398#, Zhenye Road, South Street, Jiaxing, Zhejiang, China

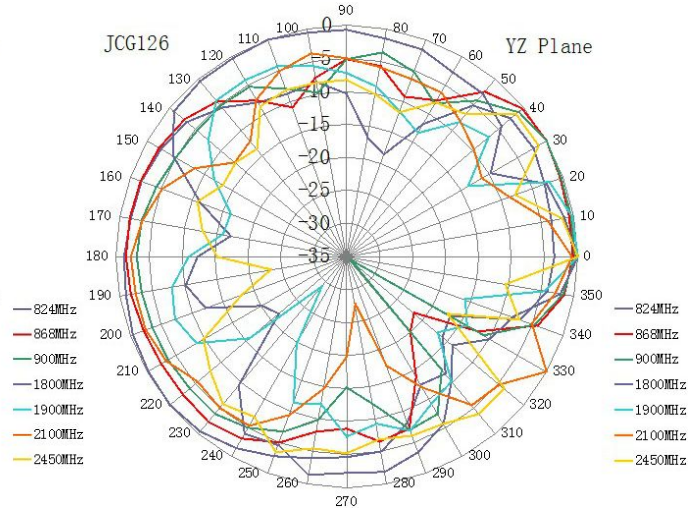
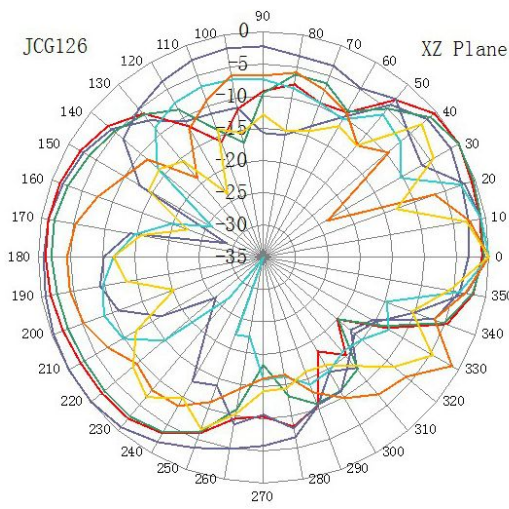
Http:// www.jinchanggps.com

E-mail: jcgps@vip.163.com

Tel: 86-0573-83692157/83692605/83958637 Fax: 86-0573-83958635



Jinchang Electron Global Service



JIAXING JINCHANG ELECTRONIC TECHNOLOGY CO.,LTD

Add: 398#, Zhenye Road, South Street, Jiaying, Zhejiang, China

Http:// www.jinchanggps.com

E-mail: jcgps@vip.163.com

Tel: 86-0573-83692157/83692605/83958637 Fax: 86-0573-83958635